

# Base6 LED High Profile Beacon

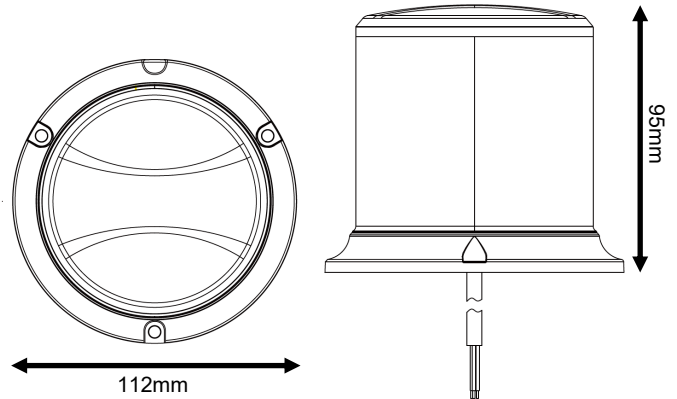
## Product Description

The Base6 High Profile LED Beacon is a great alternative to the traditional halogen rotating beacons. It has no moving parts and a simulated rotating flash pattern. Being Class1 Approved means these beacons are suitable for use on main roads as well as building sites.



## Specification

Input Voltage	12-30VDC
Dimensions	H: 95mm W: 112mm
Operating Temp	-40°C to + 65°C
IP Rating	IP67
Approvals	EMC ECE R65 / R10 / SAE J845 Class 1
Materials	Solid Aluminium Base Polycarbonate Lenses
Warranty	3 Years Manufacturer Warranty



## Product Numbers

SKU	Lens Colour	LED Colour
B6BHPSMAA	Amber	Amber
B6BHPSMBB	Blue	Blue
B6BHPSMRR	Red	Red
B6BHPSMGG	Green	Green

## Wire Colours

RED	12-24 VDC
BLUE	Earth
GREEN	Tap to + (Positive) to change pattern



## Flash Patterns

#	Pattern	Cycle	#	Pattern	Cycle
1	Single (ECE/SAE)	480ms	2	Single	800ms
3	Double	400ms	4	Double	800ms
5	Triple	820ms	6	Quad	820ms
7	F&B Half	400ms	8	F&B Half	800ms
9	Rotated	800ms	10		



**OzLED**

07 3205 4355  
sales@ozled.com.au  
www.ozled.com.au